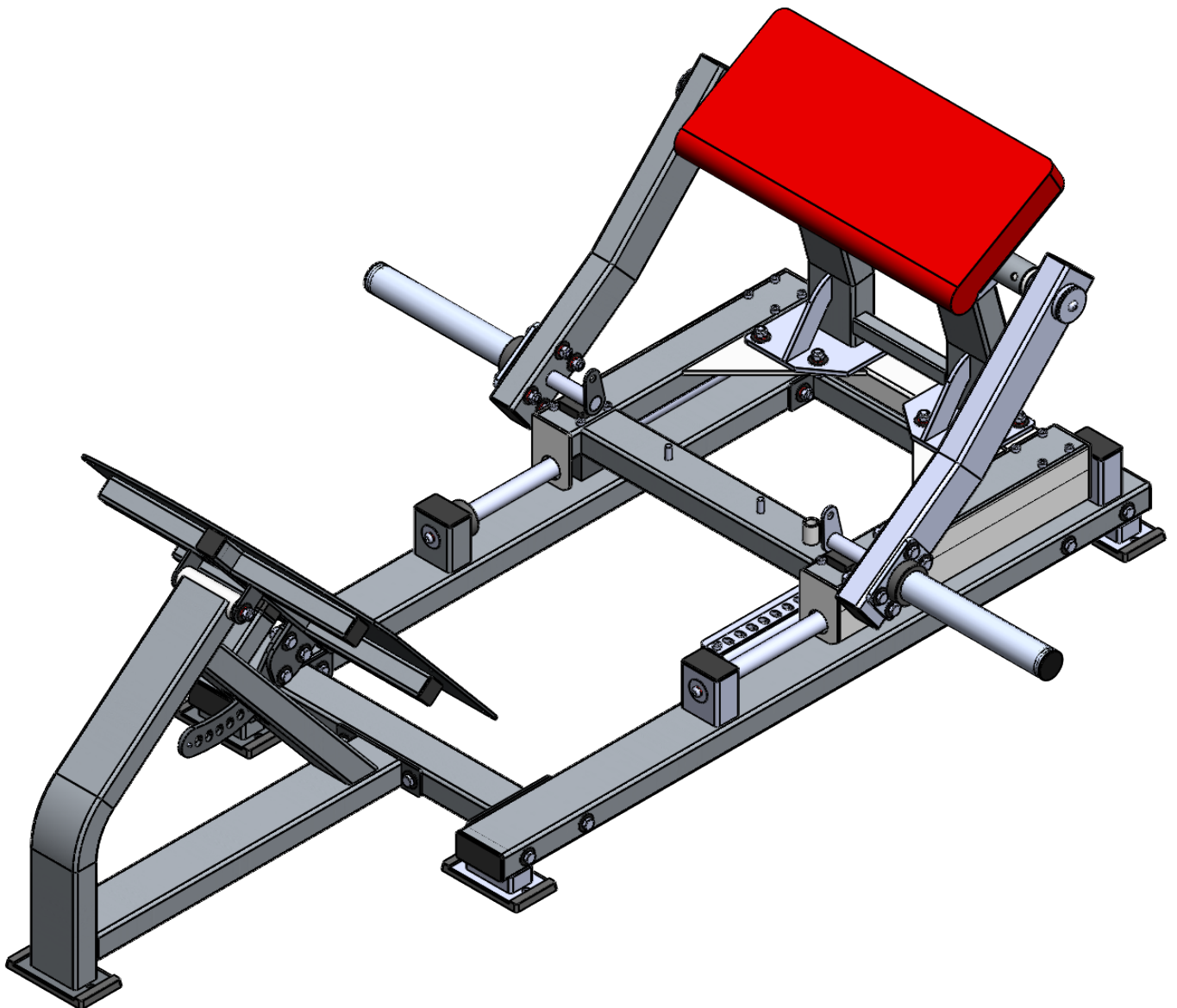


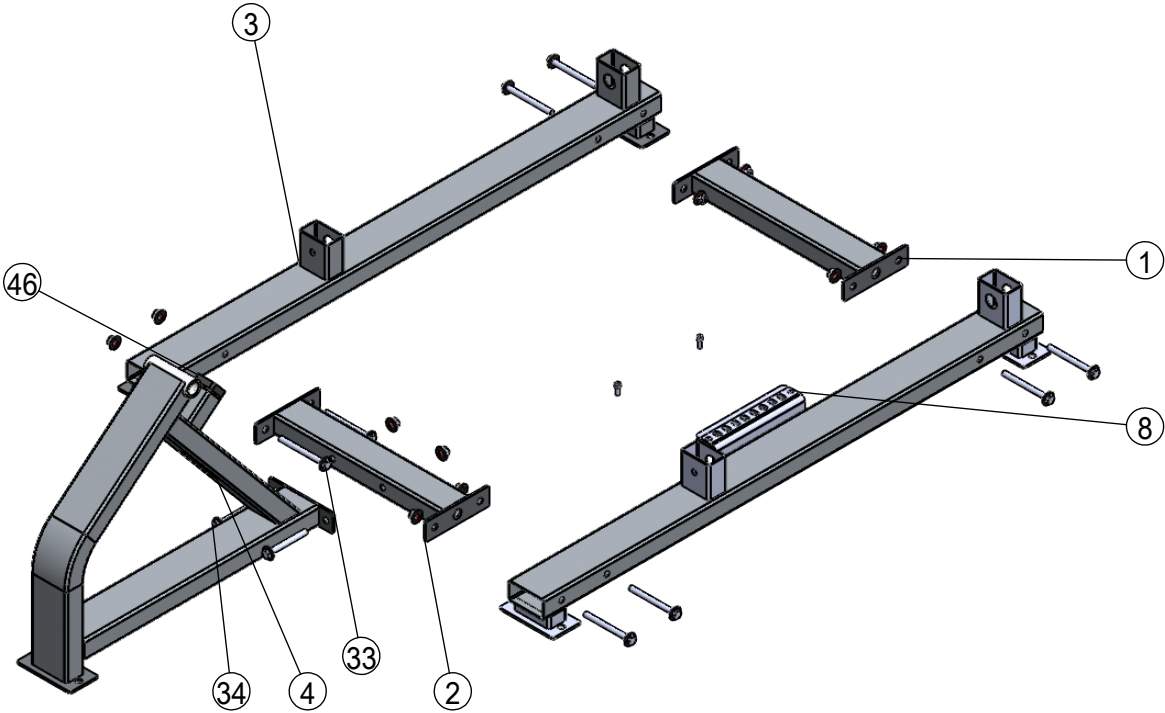
Glute Drive



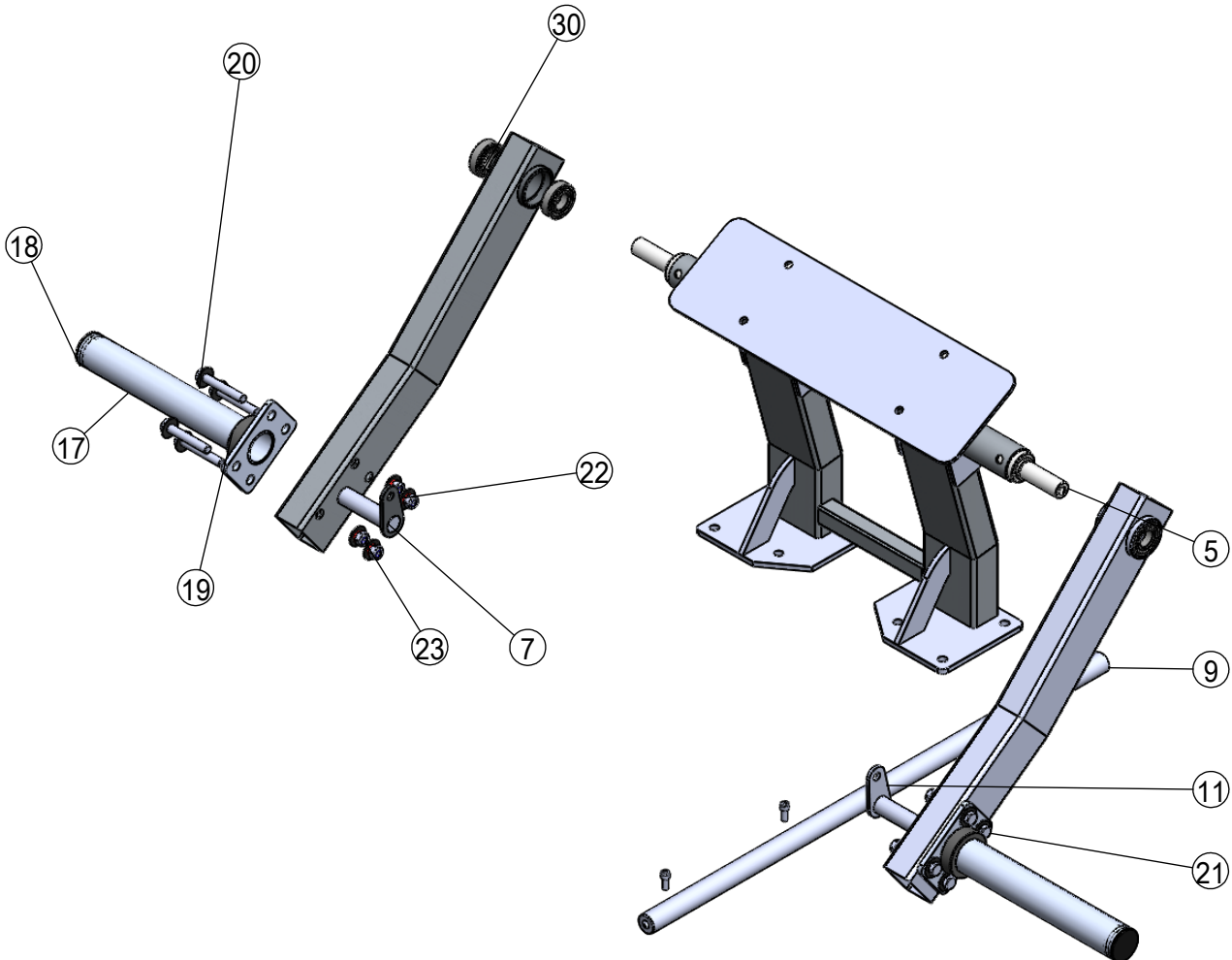
Part Number	Part Name	quantity
1	REAR CROSS ASSEMBLY	1
2	FRONT CROSS ASSEMBLY	1
3	BASE FRAME	2
4	SUPPORT	1
5	PIVOTAL PAD MOUNT	1
6	UPPER ARM ASSEMBLY	1
7	ARM ASSEMBLY	2
9	INEAR SHAFT	2
10	FOOT STEP PEDAL	1
12	UPPER ARM ASSEMBLY	1
13	SHAFT	1
14	ARM PAD ASSEMBLY	1
15	BACK PAD ASSEMBLY	1
16	BUMPER	2
17	WEIGHT HOLDER 330	2
18	Φ50 END CAP	2
19	RUBBER DONUT	2
20	PLAIN WASHERS--PRODUCT GRADE Φ12	60
21	HEXAGON HEAD BOLTS--PRODUCT GRADE M12X75	8
22	SPRING LOCK WASHERS--NORMAL TYPE Φ12	30
23	HEXAGON NUTS GRADE M12	30
24	BOLT	1
25	BOLT	1
26	BENT FOOT BASE	5
27	50 100 END CAP	4
28	50 80 END CAP	8
29	45 45 END CAP	6
30	BEARING 6205	4

Part Number	Part Name	quantity
31	HEX SOCKET SET SCREWS WITH FLAT POINT	4
32		2
33	HEXAGON HEAD BOLTS--PRODUCT GRADE M12X125	8
34	HEXAGON HEAD BOLTS--PRODUCT GRADE M12X105	2
35	HEXAGON HEAD BOLTS--PRODUCT GRADE M12X35	7
36	HEXAGON HEAD BOLTS--PRODUCT GRADE M12X80	4
37	HEXAGON HEAD BOLTS--PRODUCT GRADE M10X25	4
38	PLAIN WASHERS--PRODUCT GRADE Φ 10	10
39	HEXAGON HEAD BOLTS--PRODUCT GRADE M10X75	2
40	SPRING LOCK WASHERS--NORMAL TYPE Φ 10	4
41	HEXAGON SOCKET BUTTON HEAD SCREWS M10X25	6
42	PLASTIC WASHER Φ 40x Φ 13.5x2	4
43	BEARING WASHER Φ 60	2
44	LINEAR BUSH 30	4
45	HEXAGON SOCKET HEAD CAP SCREWS M8X75	16
46	WEIGHT STACK BUMPER 50x50x15	3
47	HEXAGON SOCKET BUTTON HEAD SCREWS M10X15	3
48	HEXAGON HEAD BOLTS--PRODUCT GRADE M12X150	1
49	HEXAGON SOCKET HEAD CAP SCREWS M8X20	2

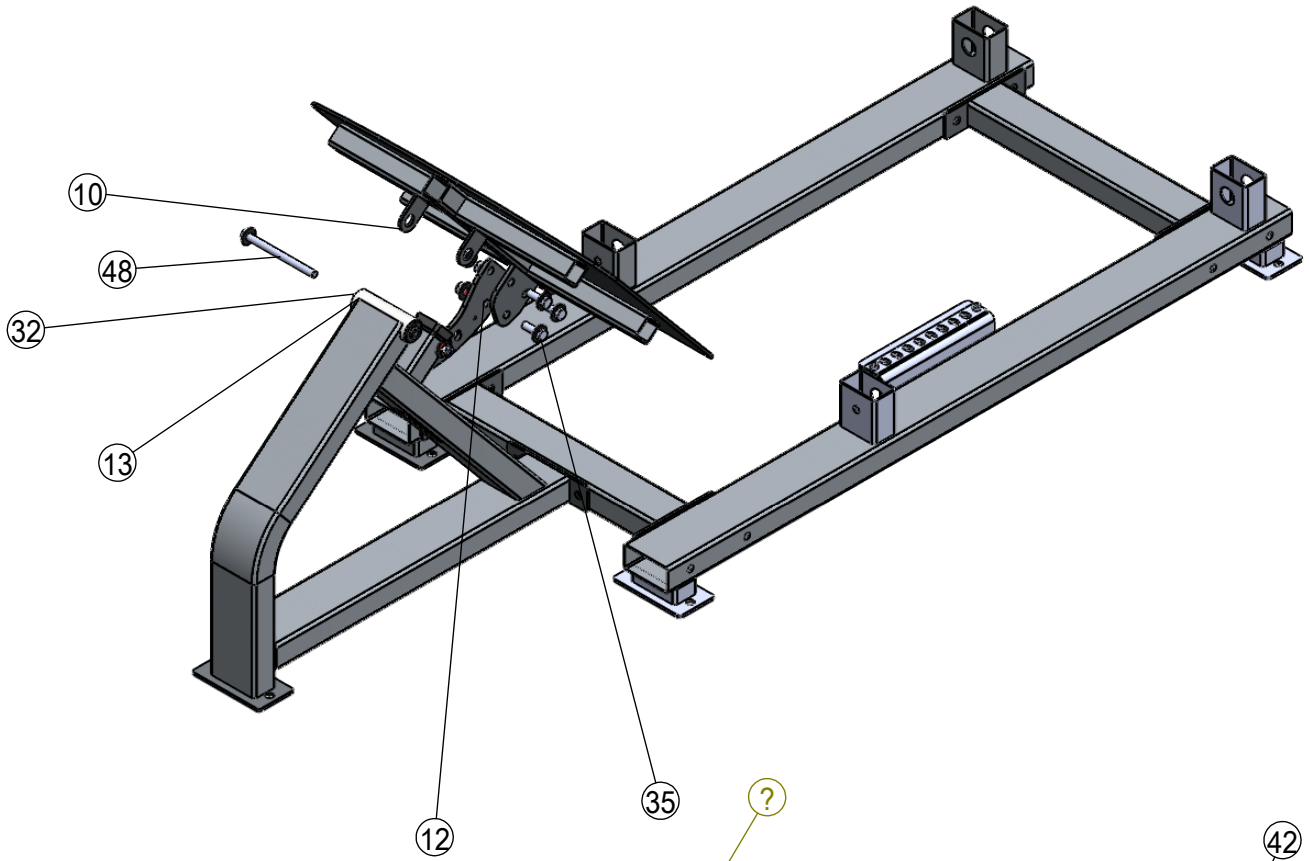
STEP: 1



STEP: 2



STEP: 3



STEP: 4

