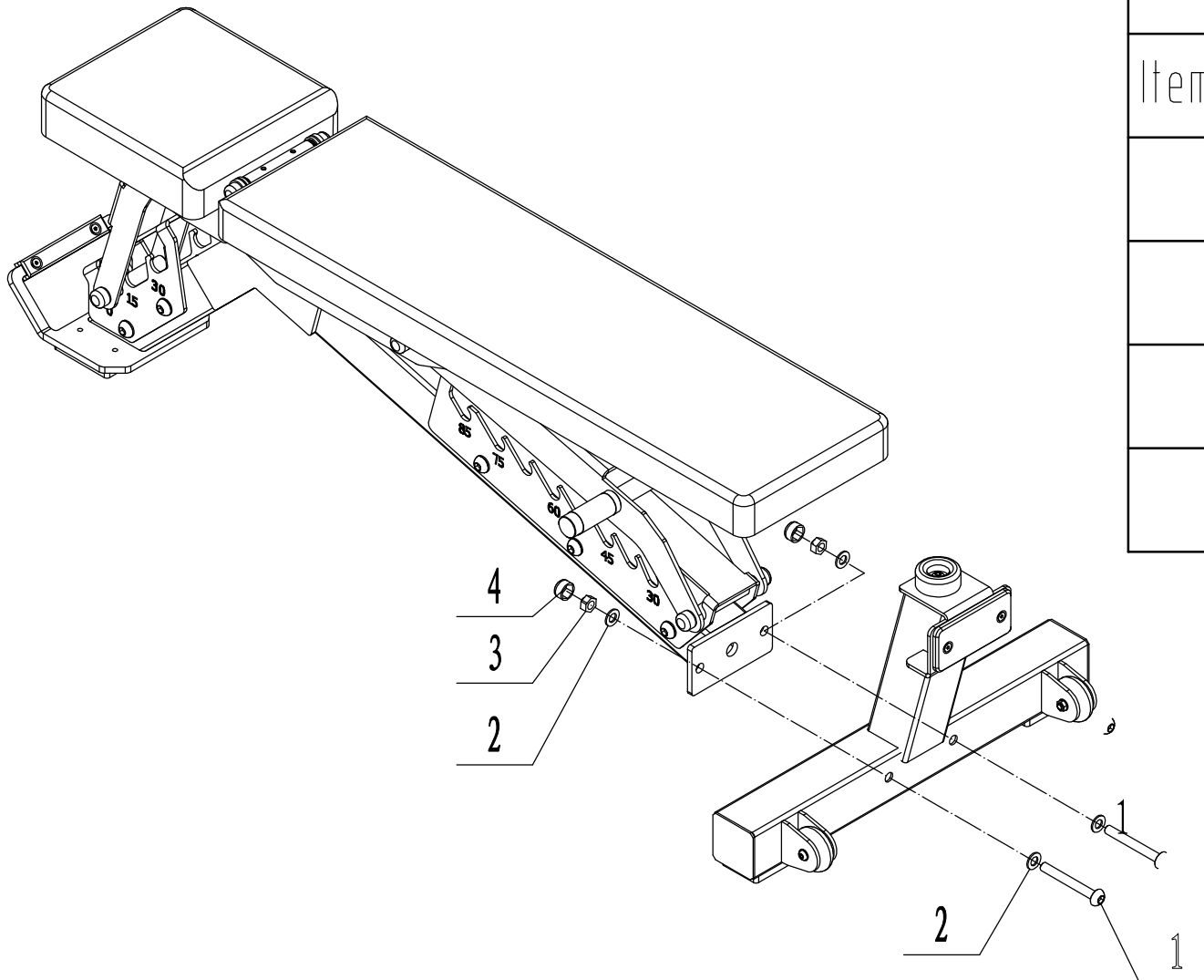




REC1 B0035
Joels Favoritbänk

Installation instructions



Packing List

Item No.	Description	Qty
1	M12*100 bolt	2
2	$\phi 12$ washer	4
3	M12 nut	2
4	Plastic cap	2